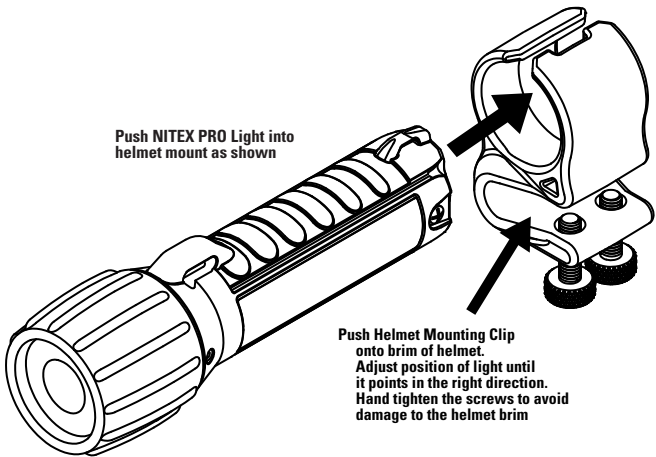


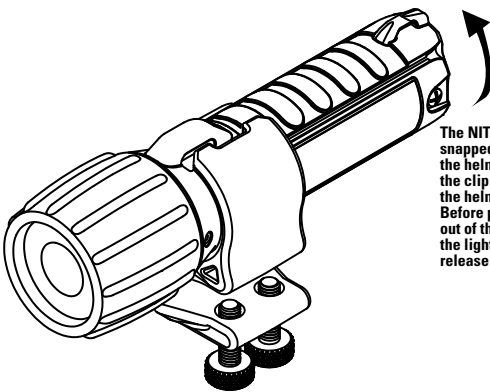


The NITEX PRO helmet mounting clip is made to last from unbreakable glass filled nylon resin. It is designed to clip to the brim of the classic style american fire helmets. It can be attached above or below the brim along the edge in the zone midpoint above the ear.



Push NITEX PRO Light into helmet mount as shown

Push Helmet Mounting Clip onto brim of helmet. Adjust position of light until it points in the right direction. Hand tighten the screws to avoid damage to the helmet brim



The NITEX PRO can be snapped in and out of the helmet clip while the clip is attached to the helmet. Before pulling the light out of the clip, rotate the light slightly to release it from the clip.

Limited Lifetime Warranty

Underwater Kinetics products are engineered for maximum performance and durability. All products carry a Limited Lifetime Warranty to the original retail purchaser to be free from defective material and workmanship under normal and intended use. In addition, the Underwater Kinetics Limited Warranty covers materials used in its products to the original purchaser, from the date of purchase, as follows: plastics for 10 years; rubber for 3 years, LED and electronics for 1 year, rechargeable batteries for 90 days.

In the event the original retail purchaser detects a defect in the material or workmanship, the product along with proof of purchase date should be returned to an authorized Underwater Kinetics dealer or directly to Underwater Kinetics with the postage prepaid. Underwater Kinetics agrees to repair or replace at Underwater Kinetics' sole discretion any product found to be defective in material or workmanship within the time period specified above. For the complete Limited Lifetime Warranty write to Underwater Kinetics or go to the web site www.underwaterkinetics.com.

Address all correspondence and returns to:
Underwater Kinetics
13400 Danielson Street
Poway, CA 92064