



Thank you for purchasing our NITEX eLED Rechargeable Lithium Ion flashlight. It was designed with firefighters as consultants for use as a standard source of helmet mounted illumination for firemen. The NITEX light is smaller, brighter and contains the latest LED, optical and Lithium Ion technology. In addition it incorporates UK's unique thermal transfer design for increased brightness and cold weather performance. With minimal care your UK light will give you years of trouble-free service.

OPERATION

BATTERY INSERTION

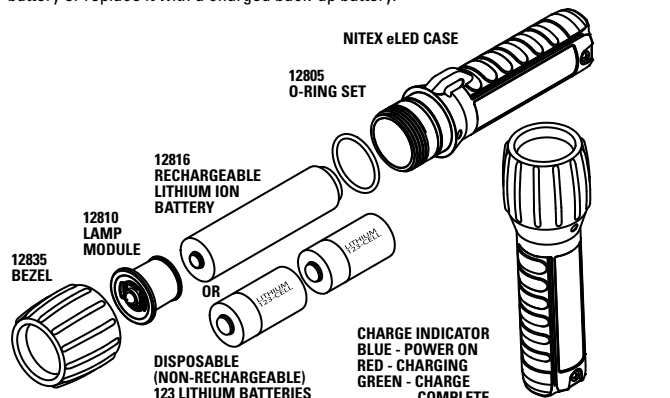
Unscrew and remove the Bezel and Lamp Module. Insert the Rechargeable Lithium Ion Battery or two 123-size lithium cells into the NITEX eLED Case. Be sure that the positive + terminal touches the Lamp Module after inserting the battery. Make sure the o-rings are clean and lubricated with silicone grease. Replace the Bezel and Lamp Module.

ON / OFF

Press the rubber button located on the end of the NITEX light for ON and OFF. To prevent accidentally turning the light ON during storage or transportation, unscrew the bezel one turn. This disables the switch.

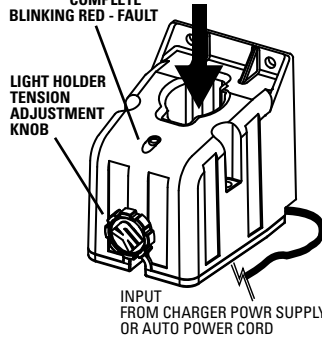
FLASHING LOW BATTERY INDICATOR

When approximately 10 percent of charge on the lithium ion battery remains, the NITEX light will flash briefly every 3 seconds. This indicates that it is time to recharge the battery or replace it with a charged back-up battery.



BATTERY CHARGING

Insert the NITEX light into the charge stand as shown. Plug the charger power supply into a 100-240 VAC, 50-60 HZ power outlet, and plug the cord from the power supply into the side of the charge stand. The charge stand can also be connected to 12 V DC using the optional Auto Power Cord (P/N 14837). Charge 4-5 hours for a complete charge. The indicator light on charger will change from red to green when charging is complete.

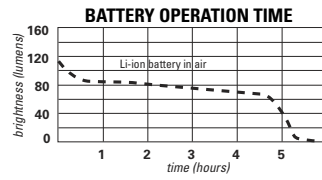


- 12811 NITEX CHARGER DOCK
- 12812 POWER SUPPLY / UL PLUG
- 12813 POWER SUPPLY / VDE PLUG
- 12814 POWER SUPPLY / GBR PLUG
- 12815 POWER SUPPLY / AUS PLUG
- 14837 AUTO POWER CORD - 12V DC

SPECIFICATIONS

- POWER: 1.8 watt
- LAMP: High intensity LED
- BRIGHTNESS: 90 lumen (Li-ion)
- BATTERY: 2200 mA-Hr rechargeable Lithium Ion (optional) 123 Lithium (2x)
- BURN TIME: 4-5 hr (Li-ion)
- CHARGE TIME: 4 hr
- INPUT VOLTAGE: 12 VDC (charger stand) 100-240 VAC 50-60 Hz (wall power supply)
- SIZE: 1.4 x 4.6 inch
- WEIGHT: 3.7 oz
- TEST DEPTH: 1 m

CAUTION
Do not attempt to charge disposable 123-size batteries.
• Fire and/or explosion may result.



- Care and Maintenance**
- Keep the area around the O-ring seal clean and free from sand.
 - If the light floods with water, empty the contents immediately, rinse with fresh water and dry completely before reassembly.
 - Keep battery and charger dry.

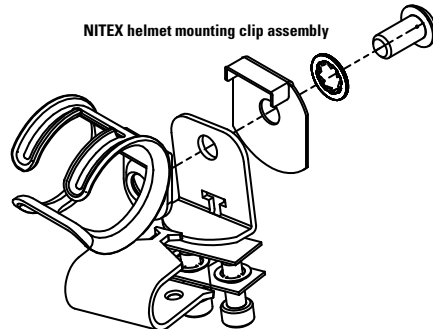
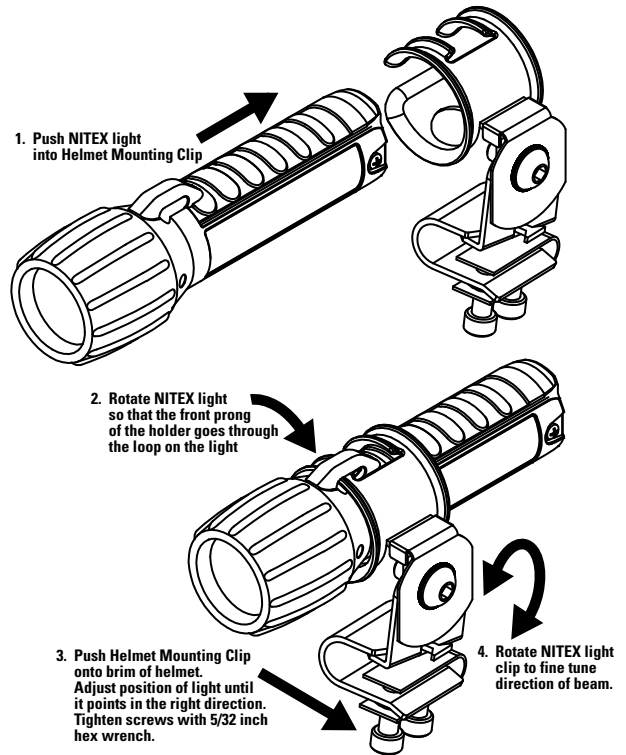
patents and patents pending

CAUTION
Rechargeable Lithium Ion Battery
Improper handling can cause heat, smoke or fire.

- Use only recommended UK charger.
- Do not remove label or disassemble.
- Do not throw in fire.
- Do not short by connecting + to -.
- Charge only indoors. Do not charge when wet.



The NITEX helmet mounting clip is made to last from solid stainless steel. It is designed to clip to the brim of the classic style american fire helmets. It can be attached above or below the brim along the edge in the zone midpoint above the ear.



Limited Lifetime Warranty

Underwater Kinetics products are engineered for maximum performance and durability. All products carry a Limited Lifetime Warranty to the original retail purchaser to be free from defective material and workmanship under normal and intended use. In addition, the Underwater Kinetics Limited Warranty covers materials used in its products to the original purchaser, from the date of purchase, as follows: plastics for 10 years; rubber for 3 years, LED and electronics for 1 year, rechargeable batteries for 90 days.

In the event the original retail purchaser detects a defect in the material or workmanship, the product along with proof of purchase date should be returned to an authorized Underwater Kinetics dealer or directly to Underwater Kinetics with the postage prepaid. Underwater Kinetics agrees to repair or replace at Underwater Kinetics' sole discretion any product found to be defective in material or workmanship within the time period specified above. For the complete Limited Lifetime Warranty write to Underwater Kinetics or go to the web site www.underwaterkinetics.com.

Address all correspondence and returns to:
Underwater Kinetics
13400 Danielson Street
Poway, CA 92064



Thank you for purchasing our NITEX eLED Rechargeable Lithium Ion flashlight. It was designed with firefighters as consultants for use as a standard source of helmet mounted illumination for firemen. The NITEX light is smaller, brighter and contains the latest LED, optical and Lithium Ion technology. In addition it incorporates UK's unique thermal transfer design for increased brightness and cold weather performance. With minimal care your UK light will give you years of trouble-free service.

OPERATION

BATTERY INSERTION

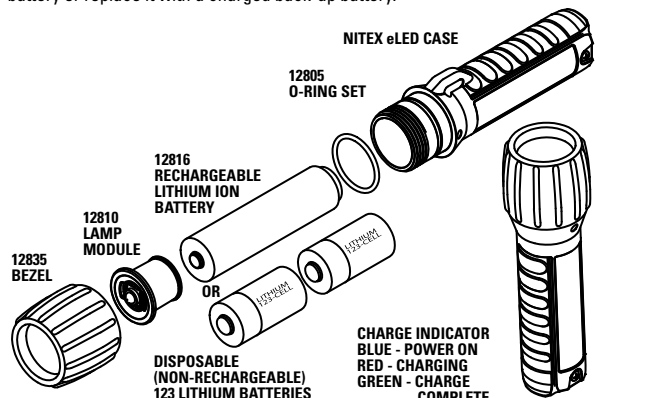
Unscrew and remove the Bezel and Lamp Module. Insert the Rechargeable Lithium Ion Battery or two 123-size lithium cells into the NITEX eLED Case. Be sure that the positive + terminal touches the Lamp Module after inserting the battery. Make sure the o-rings are clean and lubricated with silicone grease. Replace the Bezel and Lamp Module.

ON / OFF

Press the rubber button located on the end of the NITEX light for ON and OFF. To prevent accidentally turning the light ON during storage or transportation, unscrew the bezel one turn. This disables the switch.

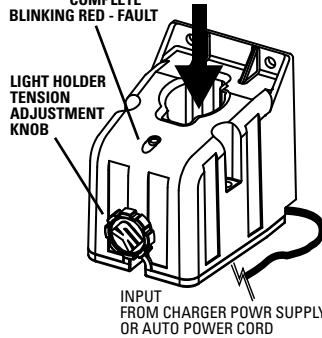
FLASHING LOW BATTERY INDICATOR

When approximately 10 percent of charge on the lithium ion battery remains, the NITEX light will flash briefly every 3 seconds. This indicates that it is time to recharge the battery or replace it with a charged back-up battery.



BATTERY CHARGING

Insert the NITEX light into the charge stand as shown. Plug the charger power supply into a 100-240 VAC, 50-60 HZ power outlet, and plug the cord from the power supply into the side of the charge stand. The charge stand can also be connected to 12 V DC using the optional Auto Power Cord (P/N 14837). Charge 4-5 hours for a complete charge. The indicator light on charger will change from red to green when charging is complete.

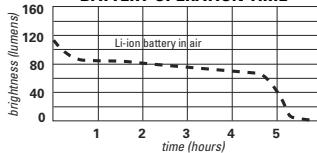


- 12811 NITEX CHARGER DOCK
- 12812 POWER SUPPLY / UL PLUG
- 12813 POWER SUPPLY / VDE PLUG
- 12814 POWER SUPPLY / GBR PLUG
- 12815 POWER SUPPLY / AUS PLUG
- 14837 AUTO POWER CORD - 12V DC

CAUTION

Do not attempt to charge disposable 123-size batteries.
• Fire and/or explosion may result.

BATTERY OPERATION TIME



Care and Maintenance

- Keep the area around the O-ring seal clean and free from sand.
- If the light floods with water, empty the contents immediately, rinse with fresh water and dry completely before reassembly.
- Keep battery and charger dry.

SPECIFICATIONS

- POWER: 1.8 watt
- LAMP: High intensity LED
- BRIGHTNESS: 90 lumen (Li-ion)
- BATTERY: 2200 mA-Hr rechargeable Lithium Ion (optional) 123 Lithium (2x)
- BURN TIME: 4-5 hr (Li-ion)
- CHARGE TIME: 4 hr
- INPUT VOLTAGE: 12 VDC (charger stand) 100-240 VAC 50-60 Hz (wall power supply)
- SIZE: 1.4 x 4.6 inch
- WEIGHT: 3.7 oz
- TEST DEPTH: 1 m

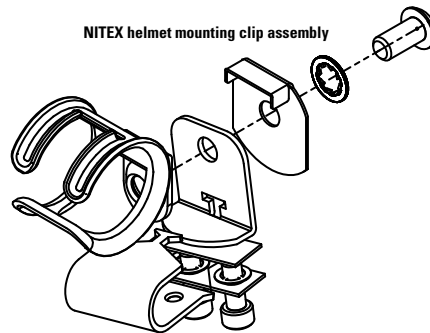
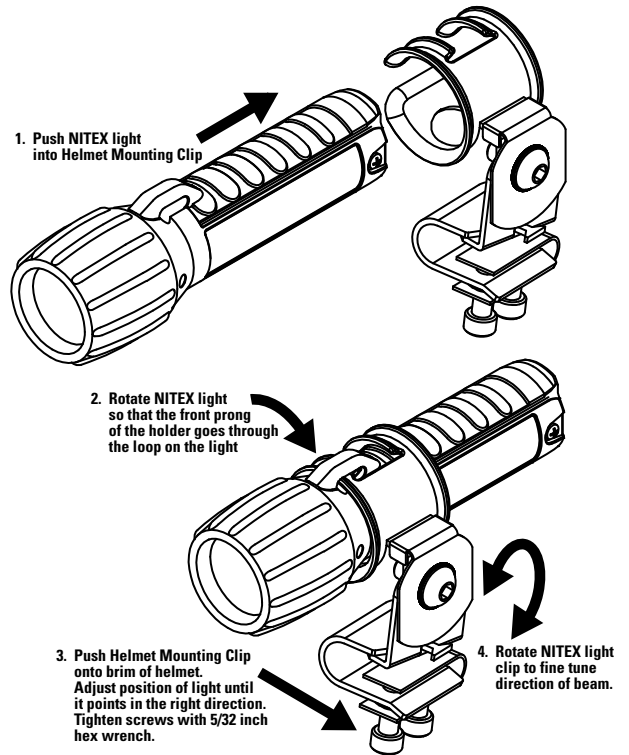
patents and patents pending

CAUTION

Rechargeable Lithium Ion Battery
Improper handling can cause heat, smoke or fire.
• Use only recommended UK charger.
• Do not remove label or disassemble.
• Do not throw in fire.
• Do not short by connecting + to -.
• Charge only indoors. Do not charge when wet.



The NITEX helmet mounting clip is made to last from solid stainless steel. It is designed to clip to the brim of the classic style american fire helmets. It can be attached above or below the brim along the edge in the zone midpoint above the ear.



Limited Lifetime Warranty

Underwater Kinetics products are engineered for maximum performance and durability. All products carry a Limited Lifetime Warranty to the original retail purchaser to be free from defective material and workmanship under normal and intended use. In addition, the Underwater Kinetics Limited Warranty covers materials used in its products to the original purchaser, from the date of purchase, as follows: plastics for 10 years; rubber for 3 years, LED and electronics for 1 year, rechargeable batteries for 90 days.

In the event the original retail purchaser detects a defect in the material or workmanship, the product along with proof of purchase date should be returned to an authorized Underwater Kinetics dealer or directly to Underwater Kinetics with the postage prepaid. Underwater Kinetics agrees to repair or replace at Underwater Kinetics' sole discretion any product found to be defective in material or workmanship within the time period specified above. For the complete Limited Lifetime Warranty write to Underwater Kinetics or go to the web site www.underwaterkinetics.com.

Address all correspondence and returns to:
Underwater Kinetics
13400 Danielson Street
Poway, CA 92064